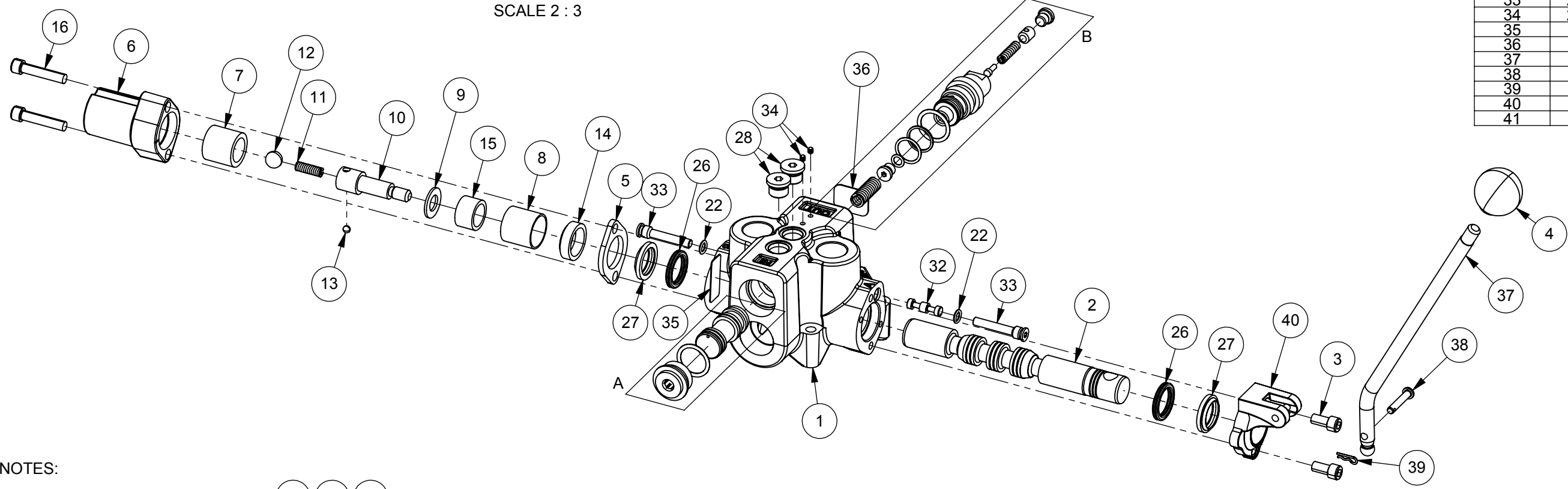


NOTE: OLD STYLE SHUTTLE STOP (FOR REFERENCE ONLY)



ITEM NO.	QTY.	P.N.	DESCRIPTION
1	1	SDCFCAST	NPT CASTING
2	1	SF303TMSS	SPOOL
3	2	SF378	CAP SCREW
4	1	SF311	KNOB
5	1	SF306	RETAINER
6	1	SF477	ENDCAP
7	1	SF479	FRICION SLEEVE
8	1	SF483	SPACER
9	2	SF328A	WASHER
10	1	SF478	HOUSING
11	1	SF491	SPRING
12	1	B5057	7/16 BALL
13	1	DC7604	3/16 BALL
14	1	SF315	SPACER
15	1	SF374	SPACER
16	2	SF486	ALLEN SCREW
17	1	P1870	CARTRIDGE
18	2	PC58	O-RING, 3-910
19	1	SF323	BACK-UP, 8-016
20	1	SF322	O-RING, 2-016
21	1	SF386	RELIEF SEAT
22	3	DC7583	O RING 3-902
23	1	DC7548B	POPPET
24	1	SF391	SPRING
25	1	DC7580	PLUG, 5/16-24
26	2	SF304	QUAD RING
27	2	SF305	WIPER
28	2	SF397	PLUG
29	1	SF319	SPRING
30	1	SF317D	PLUG
31	1	SF318B	M. SPOOL
32	1	DC7517A	SHUTTLE SPOOL
33	2	SF510	#2 SAE SHUTTLE STOP
34	2	P1743	CV PLUG
35	1	P1740	NAME TAG
36	1	P1654	WARNING TAG
37	1	P2284B	HANDLE
38	1	P2260	PIN
39	1	P1767	PIN CLIP
40	1	P2274	DIE CAST 'L' CLEVIS
41	1	P1940	SCREW, SET, 5/16-24

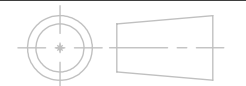
NOTES:
USE 242 (BLUE LOCTITE) ON ITEMS 3, 16, 10 WHEN ASSEMBLING.

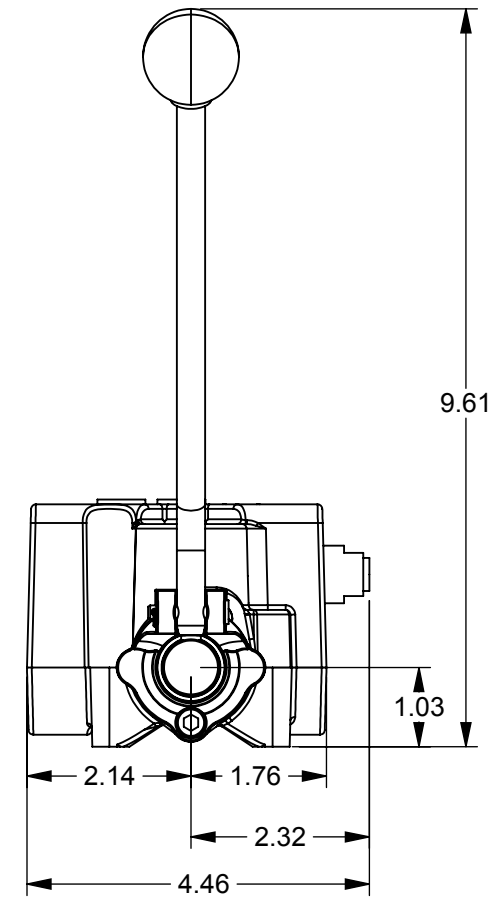
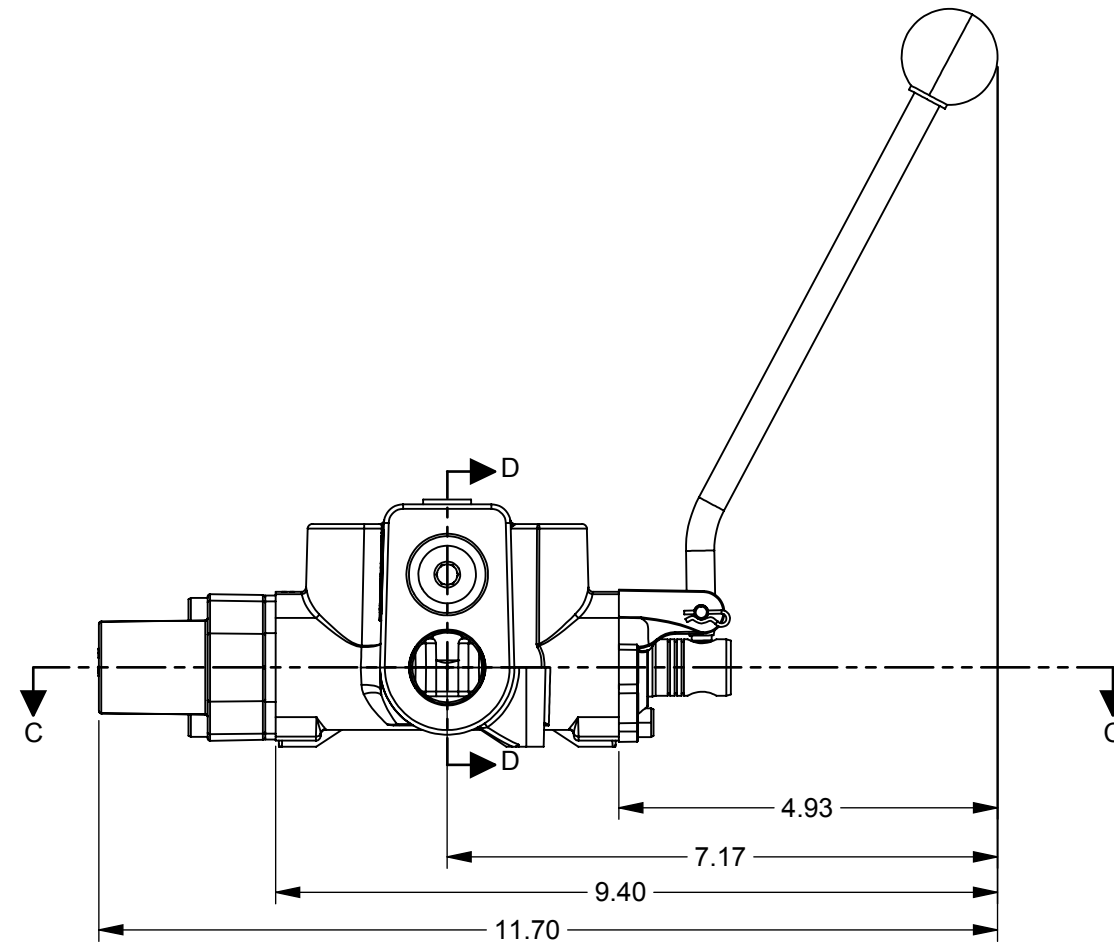
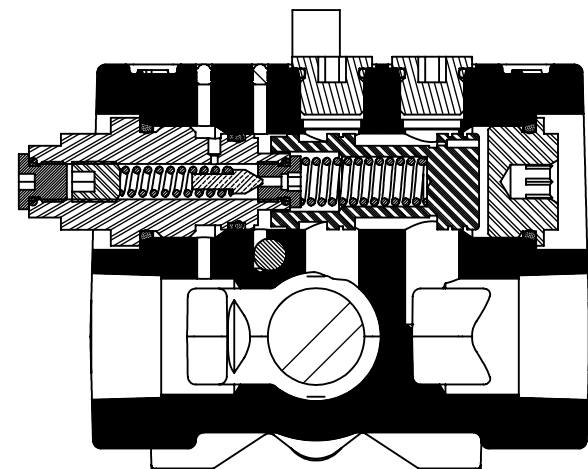
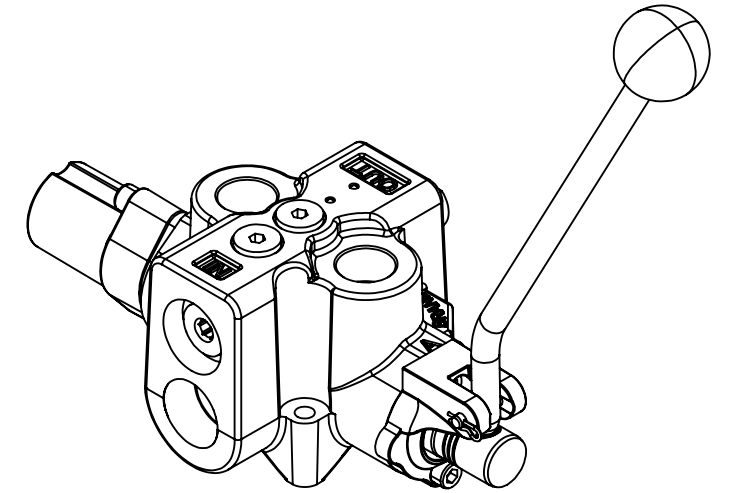
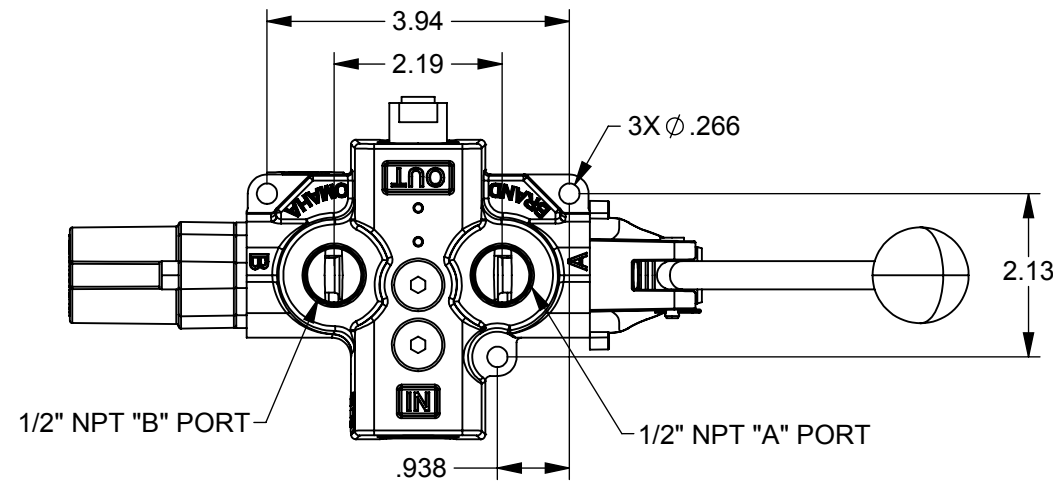
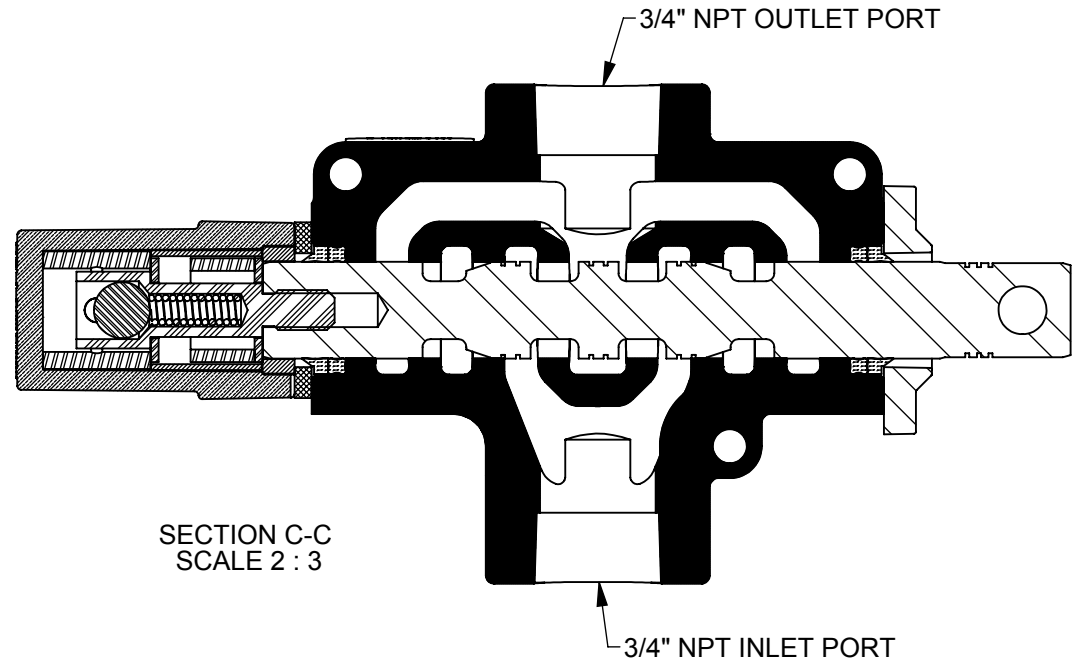
- APPLICABLE KITS:
- (SPOOL ACTION) SDC-F1 (SEE DRAWING SDC-F1 FOR PARTS BREAKDOWN)
 - (RELIEF KIT)SDCF-CART (SEE DRAWING SDCF-CART FOR PARTS BREAKDOWN)
 - (HANDLE KIT) SDC-HL (SEE DRAWING SDC-HL FOR PARTS BREAKDOWN)
 - (SEAL KIT) SDCF-K (SEE DRAWING SDCF-K FOR PARTS BREAKDOWN)

REV.	DATE	DESCRIPTION

BRAND HYDRAULICS CO., INC
2332 SOUTH 25TH STREET, OMAHA NEBRASKA 68105

TITLE: VALVE, SDCF NPT PORTS, SS 0-12GPM TANDEM METERING, L HANDLE, FRICTION DETENT		MATERIAL: -
STANDARD TOLERANCE UNLESS NOTED: 0.00 ± 0.010 (0.015 GC) 0.000 ± 0.005 (0.010 GC) ◎ = .005 TIR FRACTION ± 1/32 ANGLE ± 2° DIMENSIONS ARE IN INCHES	P/N ENDING IN "UF" HAVE NOT RECEIVED FINISH OPERATIONS	DRAWN BY: R. BATT DATE: 08/15/2013
	FINISHING SPECIFICATIONS: HEAT TREAT: -±2RC X - ∇ GRIND: - PLATE: -	APRVD BY: APRVD DATE: SCALE: 1:3 FORMAT - B





BRAND HYDRAULICS CO., INC 2332 SOUTH 25TH STREET, OMAHA NEBRASKA 68105			
TITLE: VALVE, SDCF NPT PORTS, SS 0-12GPM TANDEM METERING, L HANDLE, FRICTION DETENT		MATERIAL: -	
STANDARD TOLERANCE UNLESS NOTED: 0.00 ± 0.010 (0.015 GC) 0.000 ± 0.005 (0.010 GC) ◎ = .005 TIR FRACTION ± 1/32 ANGLE ± 2° DIMENSIONS ARE IN INCHES	P/N ENDING IN "UF" HAVE NOT RECEIVED FINISH OPERATIONS FINISHING SPECIFICATIONS: HEAT TREAT: -±2RC X - √ GRIND: - PLATE: -	DRAWN BY: R. BATT DATE: 08/15/2013	PART NO: SDCF755TM12SLF1
		APRV'D BY: APRV'D DATE:	SCALE: 1:2.5